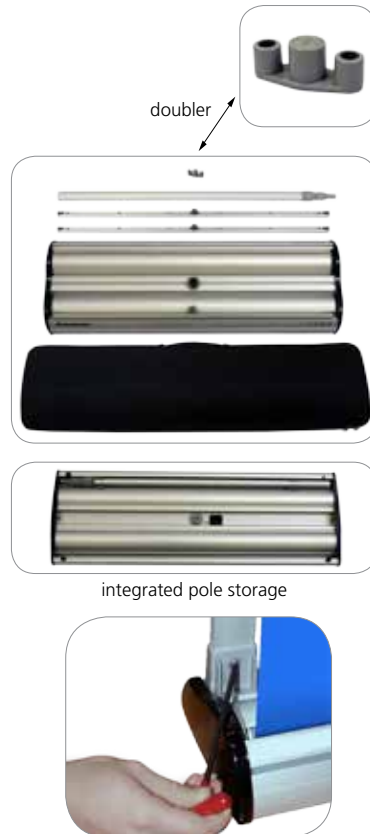


# Advance

## ADV-800-S


With refined styling and a streamlined profile, the Advance is packed with new design innovations. Useable as a single or double sided system, this removable cassette banner system has been specially designed for maximum convenience and ease of use.



## features and benefits:

- Variable height = 29.5" - 83.35"
- Telescopic pole with premium grip rail
- Integrated pole storage for the twist & lock telescopic pole
- Accessory channel featured on the top of the unit (to add a literature pocket or arm table accessory)
- Single or double sided
- Graphic tensioner
- Interchangeable graphic cassettes
- Add your own branding using the slide in graphic channel along the banner stand base
- Premium form molded EVA bag included
- Lifetime warranty against manufacturer defects

## dimensions:

Hardware	Graphic
<p><b>Assembled unit:</b> 87" (h) max x 34.25" (w) x 11.61" (d) approx. 2210mm(h) x 870mm(w) x 295mm(d) approx.</p> <p><b>Base dimensions:</b> 3.75" (h) x 34.25" (w) x 11.61" (d) approx. 95mm(h) x 870mm(w) x 295mm(d) approx.</p> <p><b>Weight:</b> 16.8 lbs / 7.66 kgs approx. (including carry bag) (Installed graphics will add weight)</p>	<p>Grippa top rail attachment recommended for semi-permanent or long term use. Adhesive top rail attachment recommended for short term use.</p> <p><b>WARNING:</b> Always attach graphic to base and top rail before removing the locking pin. After fitting, the graphic should be left for 24 hours before use to ensure the adhesive bonds sufficiently. Opening the base will invalidate the product warranty.</p> <p>Graphic tension may be re-applied or added by turning the ratchet tensioner clockwise.</p>
<p><b>Shipping</b></p> <p><b>Shipping dimensions - ships in one box</b> 37" l x 14" h x 5" d 920mm(l) x 350mm(h) x 115mm(d)</p> <p><b>Approximate shipping weight:</b> 24 lbs / 10.89 kgs shipping weight with graphic</p> <p>17 lbs / 7.66 kgs shipping weight without graphic</p>	

## additional information:

Graphic materials:  
14oz. anti-curl vinyl, Premium 100% opaque fabric, 11 mil melinex

Stand-off rectangle counter top is available in black thermoform only.

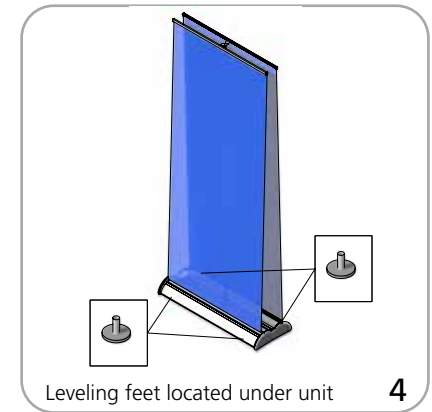
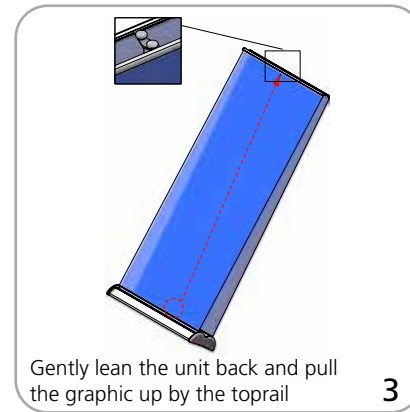
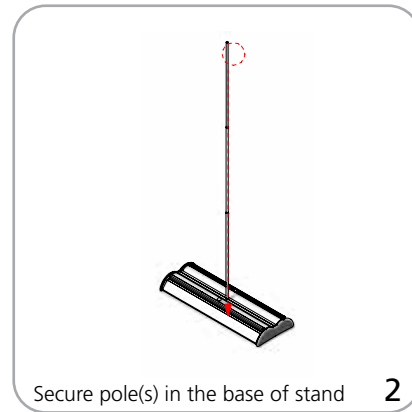
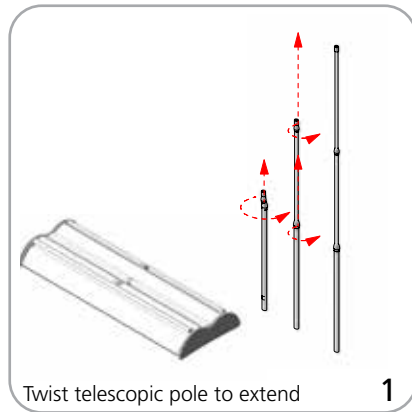
Stand-off literature rack is available (L112-2 only)

Lumina 2 banner lighting option available

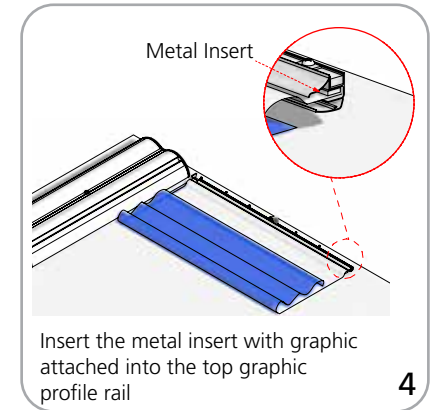
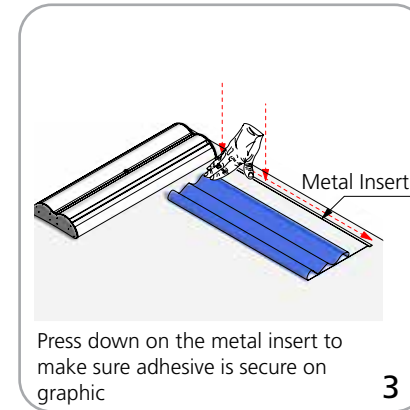
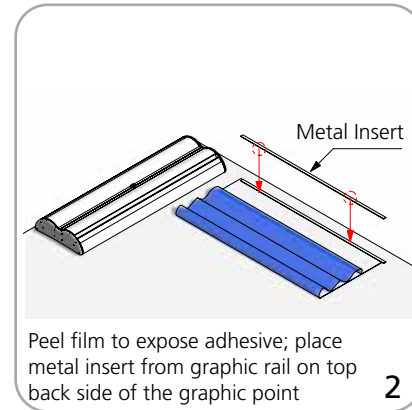
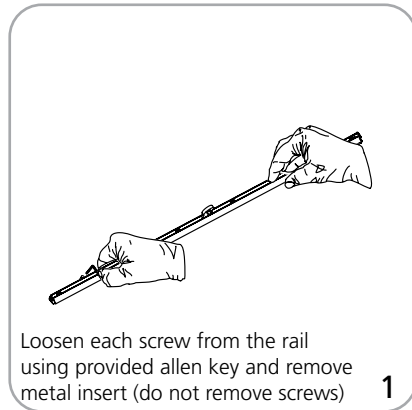


We are continually improving and modifying our product range and reserve the right to vary the specifications without prior notice. All dimensions and weights quoted are approximate and we accept no responsibility for variance. E&OE. See Graphic Templates for graphic bleed specifications.

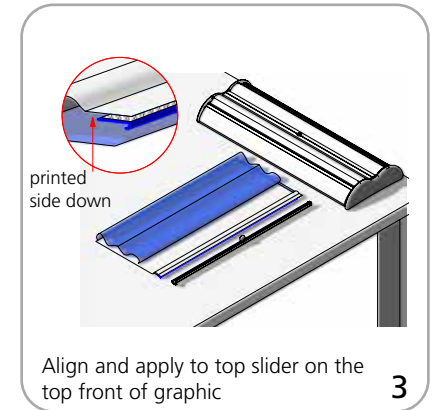
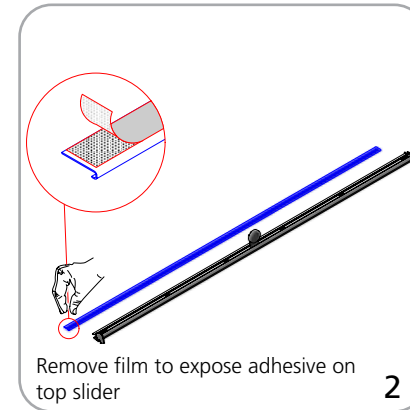
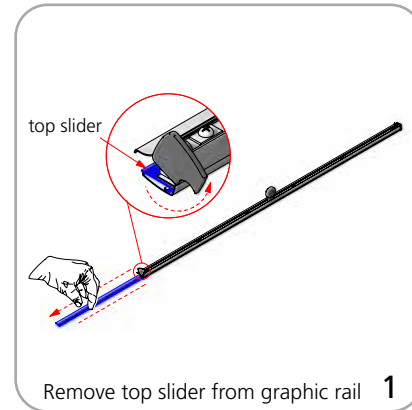
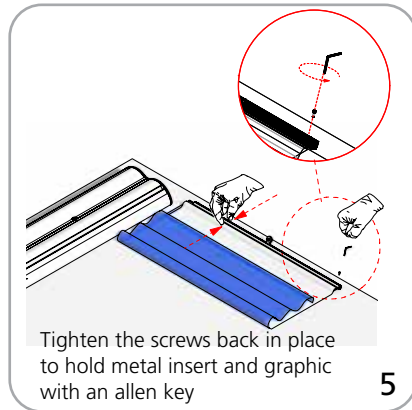
## Set-up



## Graphic to top rail attachment (metal insert)



## Quick slide top rail attachment (plastic insert)



## Graphic to base attachment

