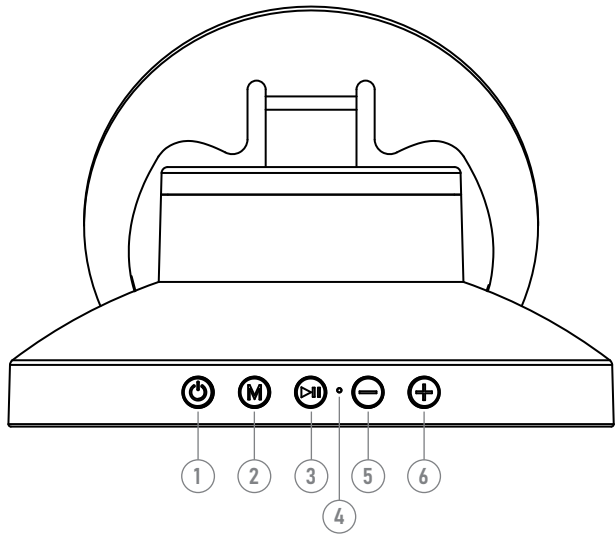




USER MANUAL

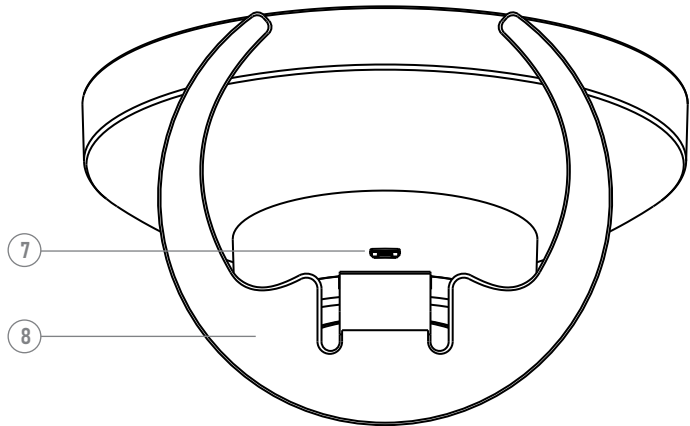
TOP VIEW

- 1. Power ON/OFF
- 2. Mode
- 3. Play/Pause
- 4. Power Indicator LED Light
- 5. Previous Track/Volume-
- 6. Next Track/Volume+



BOTTOM VIEW

- 7. Micro USB Charge Port
- 8. Speaker Base



POWER ON/OFF

Hold down the Power ① button for 3 seconds to turn your Mini Sono on or off.

PLAY/PAUSE

Press the multi-function ③ button once to play music. Press once again to pause music.

VOLUME -

Volume down: Hold down for 3 seconds
Track back: Short press for 1 second

VOLUME +

Volume up: Hold down for 3 seconds
Track forward: Short press for 1 second

WIRELESS CONNECTION

When your Mini Sono is turned on it will automatically be discoverable by your devices. Select "MINI SONO" from your list of devices to connect. Your Mini Sono will indicate a successful wireless pairing by changing from a steady flashing white LED light to a slow flashing white LED light (once every 3 seconds). Once your device is connected, the speaker will pair automatically and stay paired until you manually disconnect it.

Mini Sono will automatically power off within 15 minutes if no devices are paired.

TRUE WIRELESS STEREO (TWS) CONNECTION

You can also pair two Mini Sono speakers together via True Wireless Sound. When you power on both speakers, they will automatically pair up, each speaker providing a separate left or right channel. Press and hold the 'M' ② button for 2 seconds, and your Mini Sono will be TWS-connected. The LED indicator light on the primary speaker will begin flashing white as it waits to connect with another speaker.

To connect to a new device, press the Mode 'M' ② button once.

CHARGING YOUR MINI SONO

Connect the micro USB plug on the provided cable to the micro USB charging port ⑦ on the bottom of your Mini Sono. Connect the standard USB plug end of the cable to a power USB port on a computer or other USB charging device.

GENERAL SAFETY POINTERS

- Be sure to fully charge your Mini Sono before its first use. Use the charging micro USB cable included in the package to bring your Mini Sono to life.
- Place your Mini Sono on a level surface away from direct sunlight or excessive heat.
- Do not attempt to modify, dismantle or repair your Mini Sono. This will help avoid unnecessary fires and/or electric shocks.
- As with any electronic products, use care not to spill liquids into any part of the product. Liquids can cause a failure and/or a fire hazard.

PRODUCT SPECIFICATIONS

- Wireless Pairing Name: Mini Sono
- Wireless Connection: V5.0+EDR
- Wireless Range: Up to 33 feet (10 meters)
- Frequency Response (0db @1khz): 100Hz-20KHz
- Speaker Drivers: 40mm*2pcs
- Amplifier Max Output: 5W*2
- Battery: 3.7V 4000mAh
- Battery Charge Time: 6 hours
- Battery Charge Voltage: DC5V
- Battery Charge Current: 1000mA
- Audio Playback Time: 9 hours @ 80% volume

